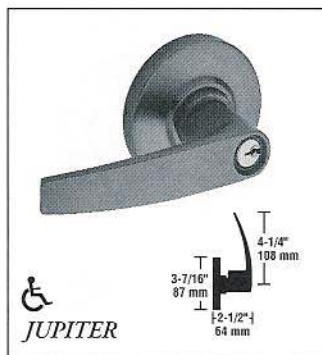


Heavy Duty Residential & Standard Duty Commercial



Specifications

Applications: Standard duty commercial exterior and interior doors for medical, office, hotel/motel, public buildings, religious, multi-family, retail/storefront and government facilities. Also available for heavy duty residential use.

Certifications: ANSI A156.2, 1996, Series 4000 Grade 2. U.L. Listed for all functions up to 3-hour doors.

Exposed Trim: Wrought brass or bronze. Levers are pressure cast zinc, plated to match finish symbols.

Keying: 6 Pin tumbler with two nickel silver keys per lock. Stock locks are keyed 5 pin. Other keying options available from the factory include masterkeying, grandmaster-keying, and construction keying. Interchangeable core available in Saturn design only. Also available with Primus® high security cylinders.

Door Range: 1 3/8" to 1 7/8" (35 mm to 48 mm) standard. 1 7/8" to 2" (48 mm to 51 mm) regular parts assembled to order.

Backset: 2 3/4" (70 mm) standard. 2 3/8" (60 mm) and 3 3/4" (95 mm) backset latches available. 5" (127 mm) backset links also available.

Standard Features

- Exceeds all ANSI A156.2, 1996, Series 4000 Grade 2 strength and operational requirements including 400,000 cycle testing.
- True through-bolting of door prevents lock chassis rotation and disengagement from latch.
- Stainless steel interlocking spindle design for added strength against excess force when lever is in locked position or latch has been fully retracted.
- Cold rolled steel, machined, threaded hubs and locking nuts prevent loosening of the lockset by bolting chassis to the door.
- Heavy duty compression springs extend life of spring cage, minimize droop and provide smooth, fast return action of levers.
- Patented door range adjuster allows quick and easy adjustment of the AL-Series for 1 3/8" to 1 7/8" (35 mm to 48 mm) thick doors.

Latches & Strikes

Standard latches and strikes have adjustable brass or bronze faceplates, furnished in compatible lock trim finishes.

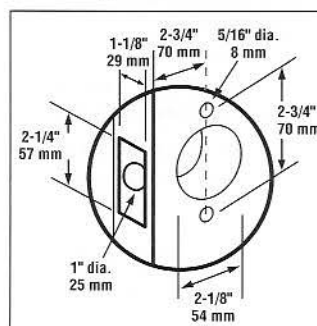
Latches: 1 1/8" x 2 1/4" (29 mm x 57 mm), 1/2" (13 mm) throw standard. 1" (25 mm) wide faceplates available. Circular drive-in, 1/4" (6 mm) radius round corner springlatches and deadlatches are also available.

Strikes: ANSI 1 1/4" x 4 7/8" (32 mm x 124 mm) strike, 1 3/16" (30 mm) lip standard. Square corner, 1 1/8" x 2 3/4" x 3/32" (29 mm x 70 mm x 2 mm) T strike with 1 1/8" (29 mm) lip, furnished with dust box, available. Optional lip lengths 1" thru 2" (25 mm-51 mm) available.

Finishes

Levers	605	606	609	612	613	625	626
Jupiter	■	■	■	■	■	■	■
Neptune	■	■	■	■	■	■	■
Saturn	■	■	■	■	■	■	■

Door Preparation



See templates.